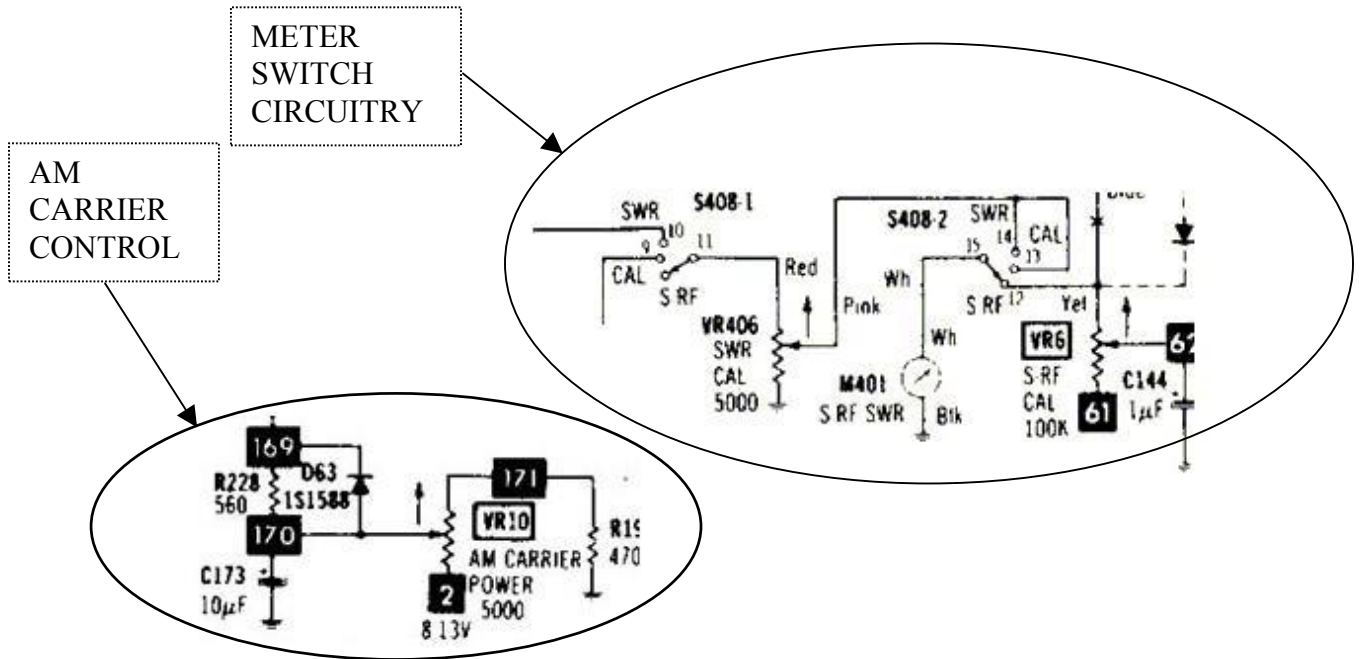
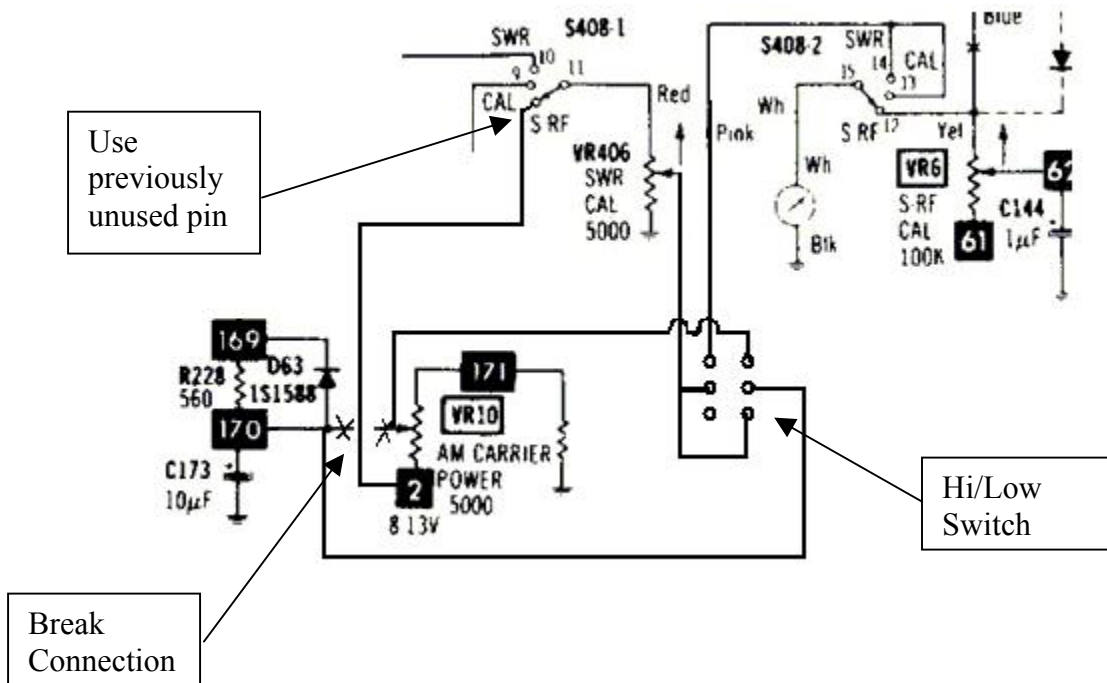


The Modification detailed below results in carrier level control from the front panel controls of the Cobra 148 without losing any functionality, other than the tone switch. When the switch is in the upper position, operation is normal. When in the lower position, the SWR Calibration Pot becomes a carrier control.



Existing circuitry, unmodified



Modified Circuitry